

## Elite Bathtub Surround



### Features

- No-caulk assembly; see back page for detail.
- High gloss acrylic surface for a bright shine.
- Easy to clean, scratch and stain resistant.
- Four spacious 4" deep shelves.
- Easy one person installation for both new construction and remodel projects.
- No drilling necessary, screw flange direct to stud.
- Covered with a protective film to maintain finish during installation.
- Compatible with most standard bathtubs.
- Wall set includes one back panel, one left panel and one right panel.
- Each set packaged in one carton.
- 5 Year consumer, 2 Year commercial Limited Warranty.

Dimensions	Part #	Model #	Shipping Weight
60" x 32" x 59" White	0378144	BLESCS01326059	65 lbs
60" x 32" x 59" Biscuit	0378147	BLESCS09326059	65 lbs
60" x 30" x 59" White	0378063	BLESCS01306059	63 lbs
60" x 30" x 59" Biscuit	0378064	BLESCS09306059	63 lbs
54" x 30" x 59" White	0378069	BLESCS01305459	45 lbs
54" x 30" x 59" Biscuit	0378070	BLESCS09305459	45 lbs
54" x 27" x 59" White	0377962	BLESCS01275459	42 lbs
54" x 27" x 59" Biscuit	0377964	BLESCS09275459	42 lbs

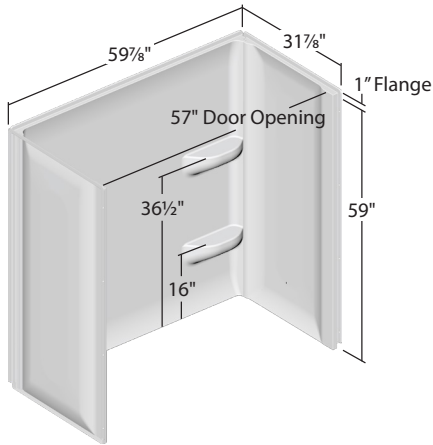
### Color Options\*

01 - White  09 - Biscuit

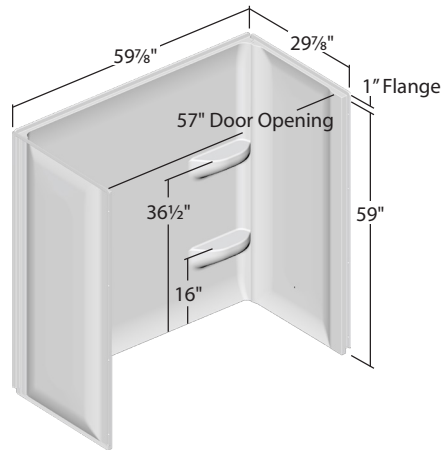
\*Color shown may vary slightly from the actual product due to variations in the printing process of this document.

Plumbing accessories not included.

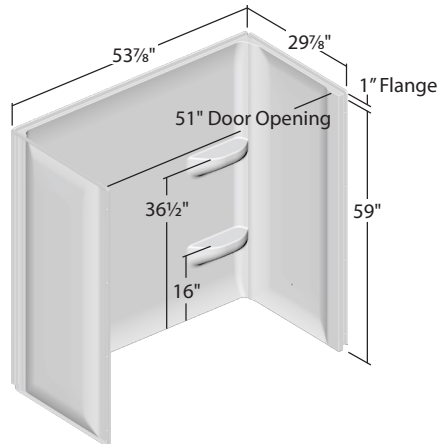
## 32" x 60" x 59"



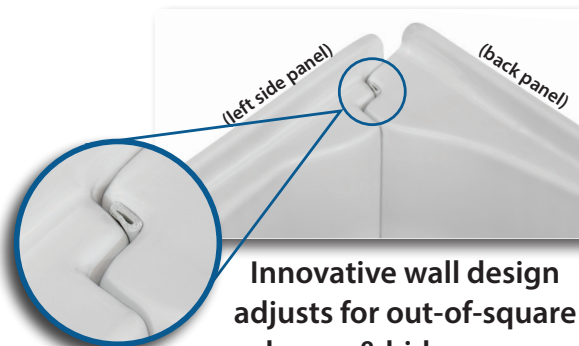
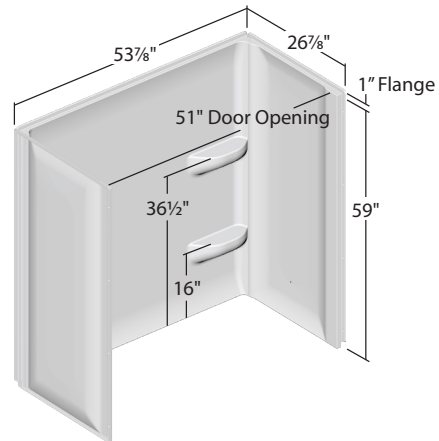
## 30" x 60" x 59"



## 30" x 54" x 59"




## 27" x 54" x 59"




Water-Proof Gasket  
(Magnified View)

**Innovative wall design  
adjusts for out-of-square  
alcoves & hides seams.  
No caulk required.**

### Contact Us

 **Lyons Industries, Inc.**  
30000 M-62 West  
Dowagiac, MI 49047

 **(800) 458-9036**

 **(269) 782-5159**

 **lyonsind@lyonsindustries.com**

 **www.lyonsindustries.com**

Design and features may change without notice.

Complies with ANSI Z124.1 and CAN/CSA-B45

CAN/ULC S102.2 Flame-75 & Smoke Developed-485 code.

Complies with ASME:A112.19.7 and CAN/CSA-B45.10

All product subject to manufacturing tolerance of [+] or [-] 1/8".

Printed in U.S.A.

02-2023